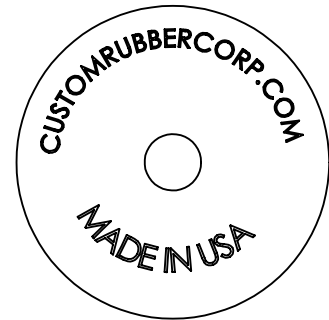
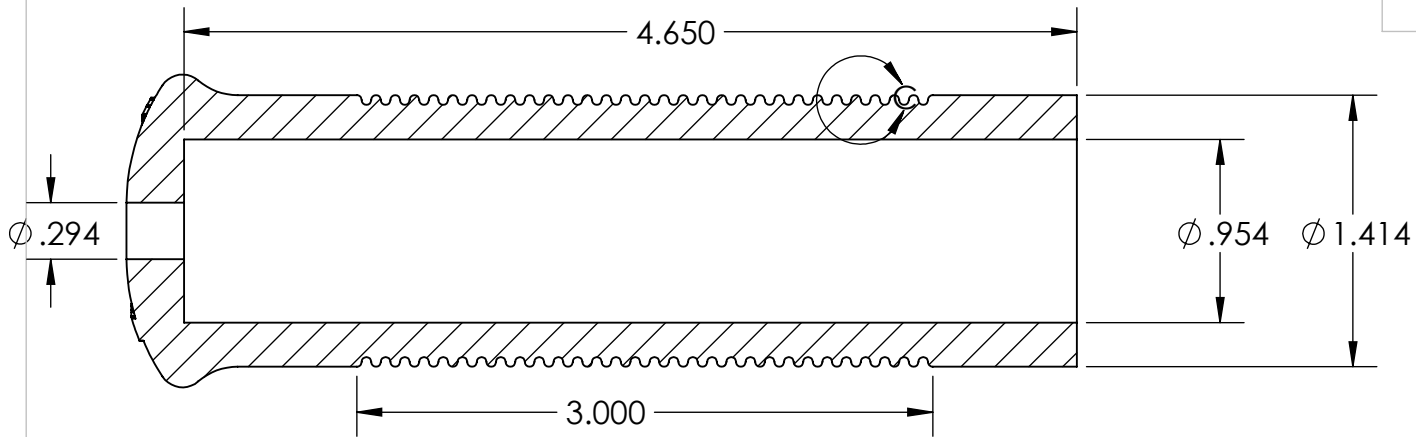
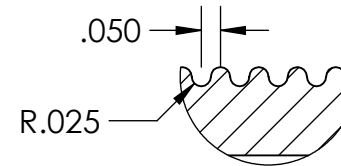
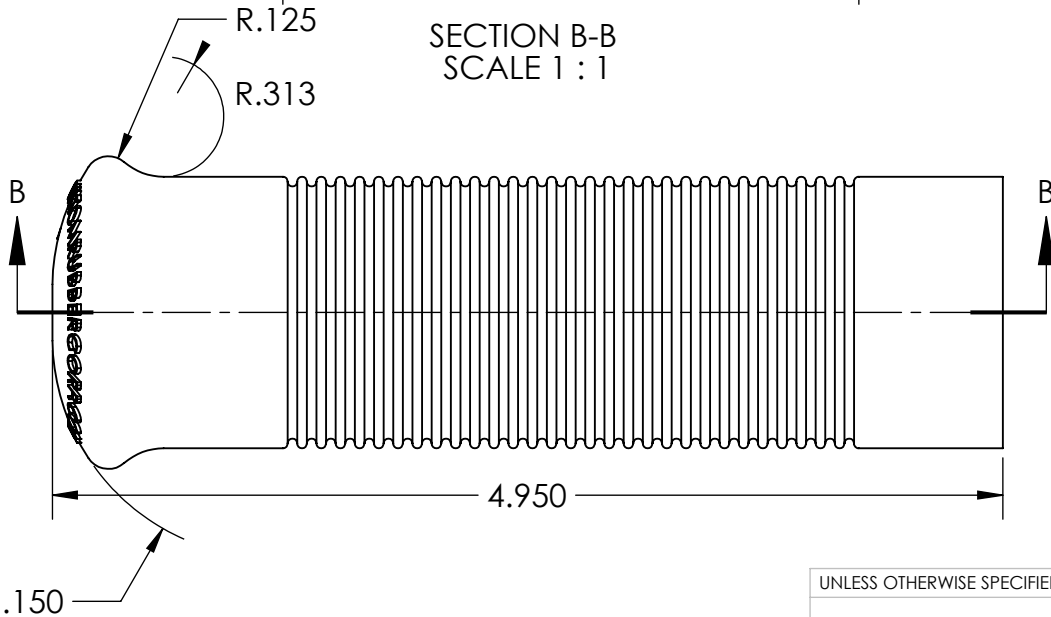


REVISIONS		
DESCRIPTION	DATE	REV. BY



SECTION B-B
SCALE 1 : 1



DETAIL C
SCALE 2 : 1

UNLESS OTHERWISE SPECIFIED:	NAME	DATE
DIMENSIONS: RMA CLASS 3	DRAWN JDB	3/16/2012
COMMENTS:	CHECKED	
VOLUME 4.11 CUBIC INCHES	MATERIAL	
DO NOT SCALE DRAWING	PROPRIETARY AND CONFIDENTIAL THE INFORMATION CONTAINED IN THIS DRAWING IS THE SOLE PROPERTY OF CUSTOM RUBBER CORP. ANY REPRODUCTION IN PART OR AS A WHOLE WITHOUT THE WRITTEN PERMISSION OF CUSTOM RUBBER CORP. IS PROHIBITED.	



TITLE: CRC 5in HANDLE		
SIZE A	DWG. NO. 154	REV
SCALE: 1:2	SHEET 1 OF 1	